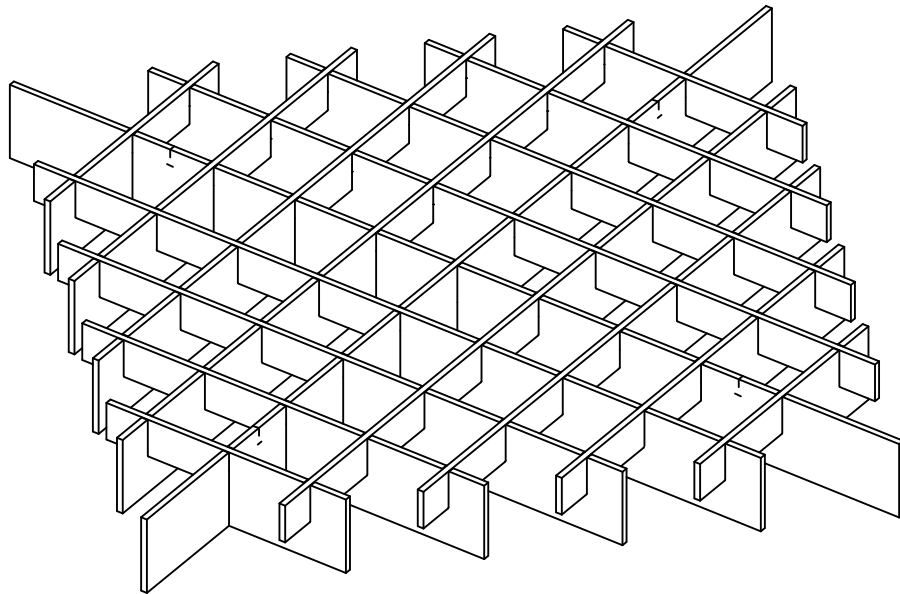


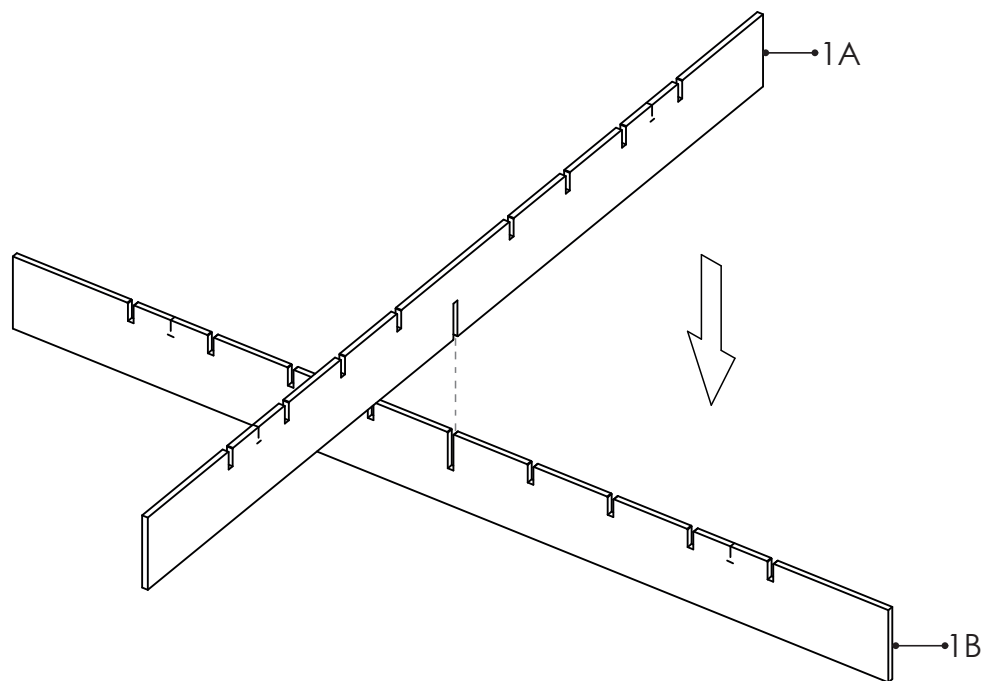
CLOUDS DRANTE INSTALL GUIDE



www.crownsurfacesolutions.com
e: info@crownsurfacesolutions.com
p: 416.245.2900

DRANTE CLOUD ASSEMBLY

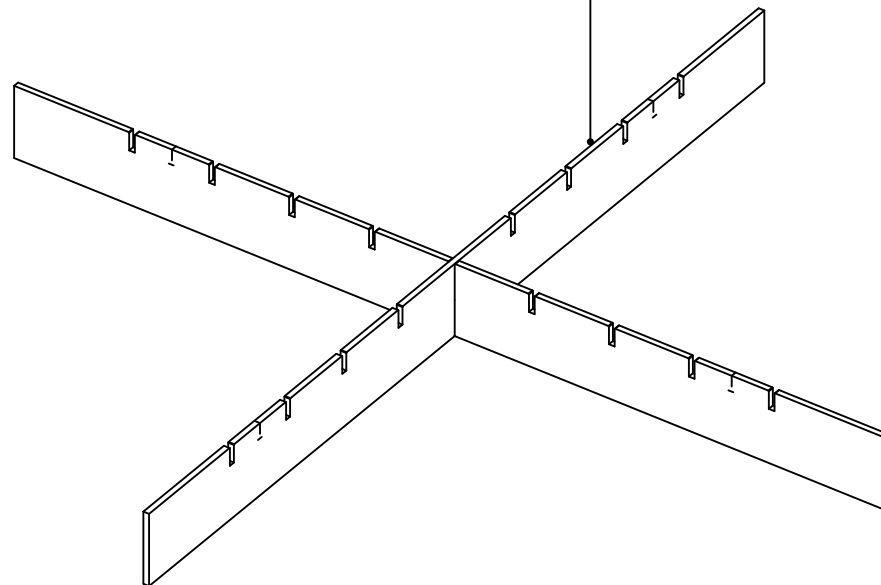
PARTIAL ASSEMBLY X



1) Assemble cloud profiles 1A & 1B as shown.
Note position of mounting slits.

STEP 1

PARTIAL ASSEMBLY X

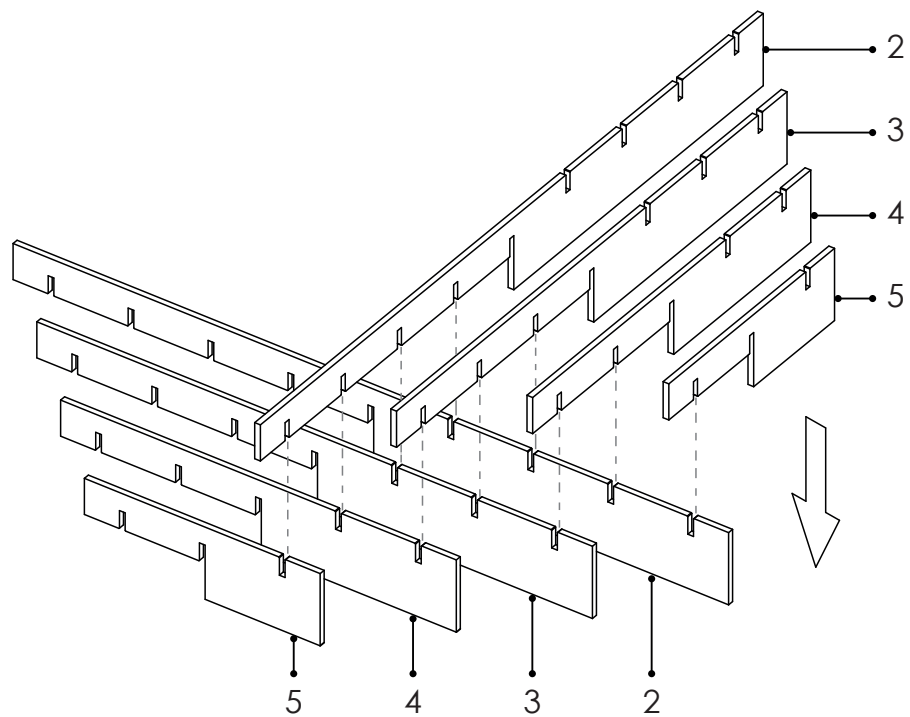


2) "Partial Assembly X" is complete. Put this aside for later.

STEP 2

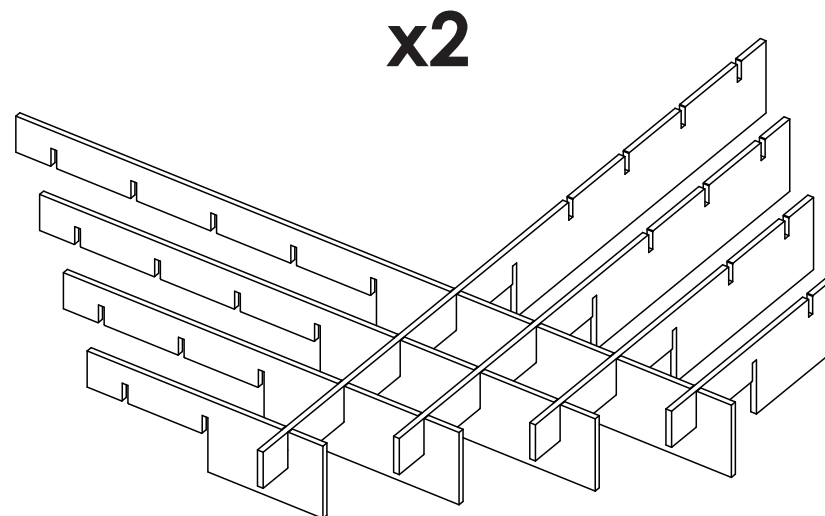
DRANTE CLOUD ASSEMBLY

PARTIAL ASSEMBLY Y



3) Assemble cloud profiles 5,4,3 & 2 as shown.

STEP 3

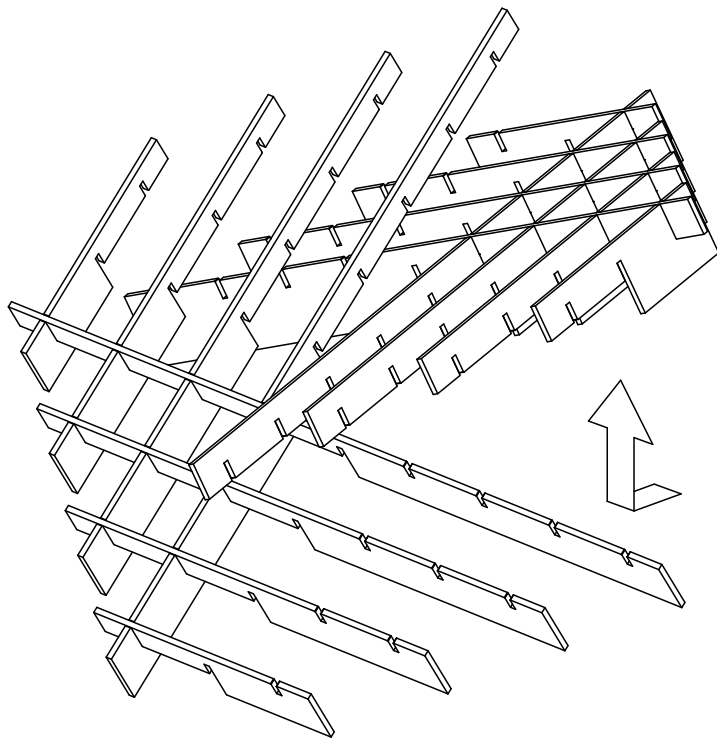


4) Create 2 of the above assemblies.

STEP 4

DRANTE CLOUD ASSEMBLY

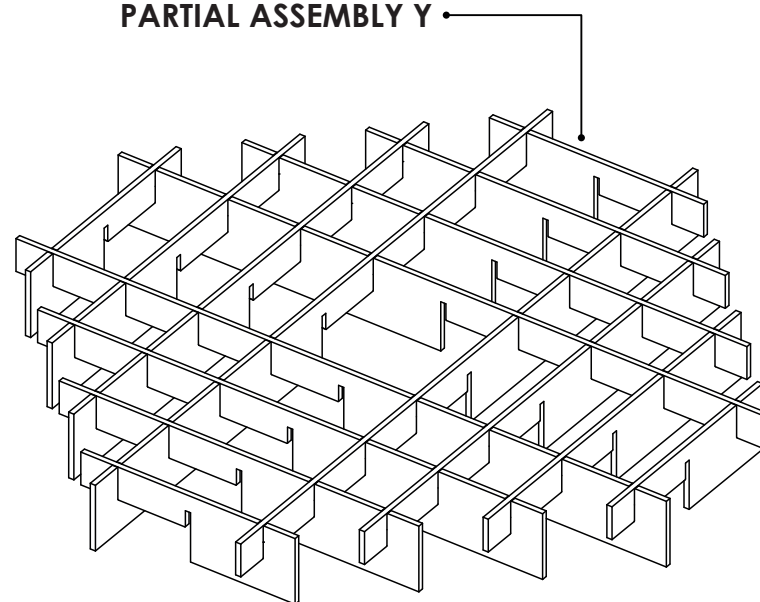
PARTIAL ASSEMBLY Y



5) Interlock the two assemblies created in the previous step.

STEP 5

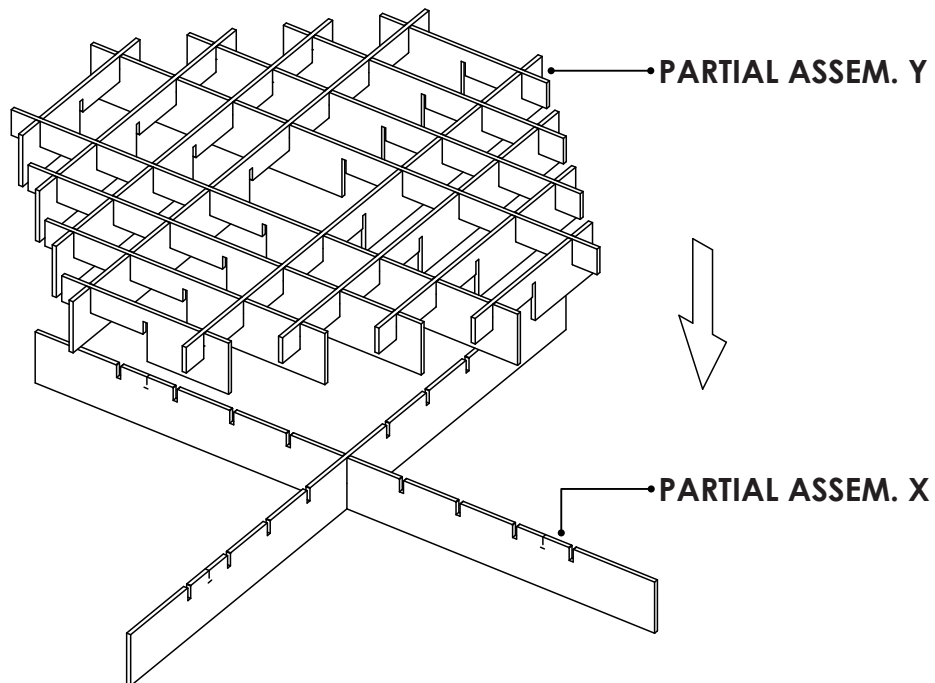
PARTIAL ASSEMBLY Y



6) "Partial Assembly Y" is complete.

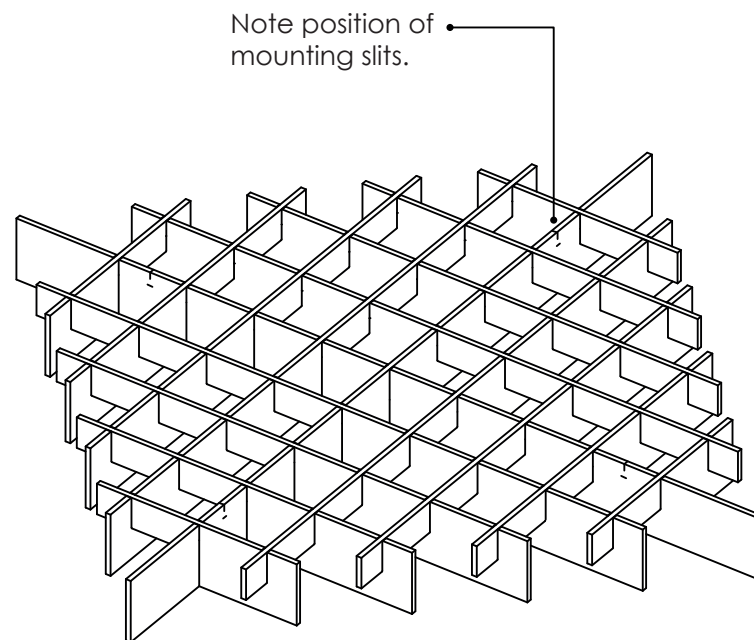
STEP 6

DRANTE CLOUD ASSEMBLY



7) Join "Partial Assembly X" with "Partial Assembly Y" as shown.

STEP 7

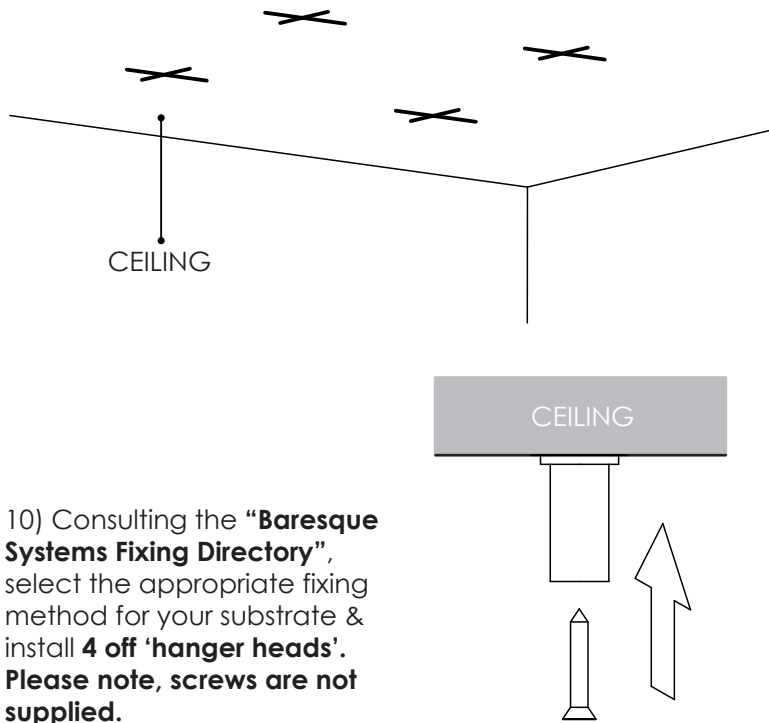


8) Assembled "Drante Cloud".

STEP 8

DRANTE CLOUD SUSPENSION METHOD

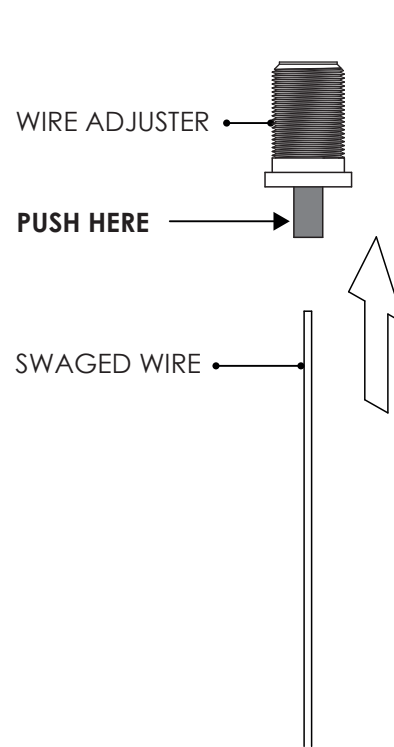
9) Place cloud assembly up to ceiling in desired location. Mark position of **4 off** through holes which correspond to the mounting slits.



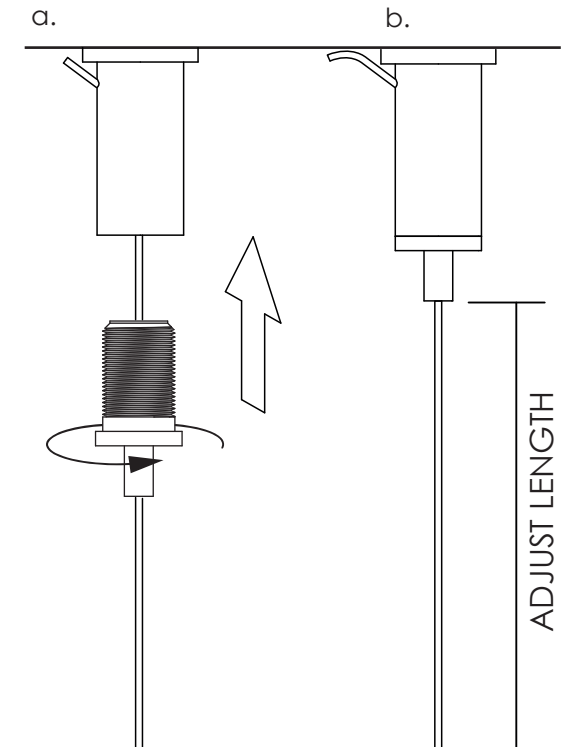
10) Consulting the “**Baresque Systems Fixing Directory**”, select the appropriate fixing method for your substrate & install **4 off** ‘hanger heads’. **Please note, screws are not supplied.**

STEP 9 & 10

11) Feed swaged wire through tip of ‘wire adjuster’ (as shown). Push button (shown in grey) to adjust wire length. Release the button to lock in place.



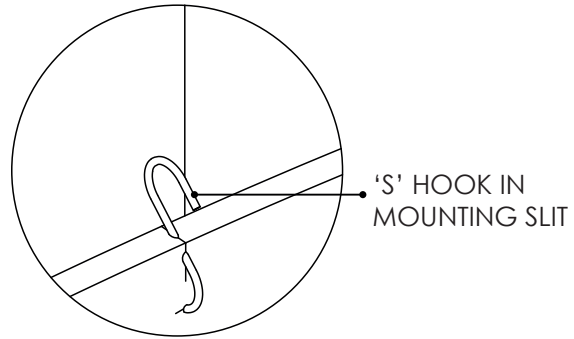
12) Feed swaged wire through hole in the side of ‘hanger head’. Screw ‘wire adjuster’ into ‘hanger head’, then adjust wires so they finish at approx. the same length.



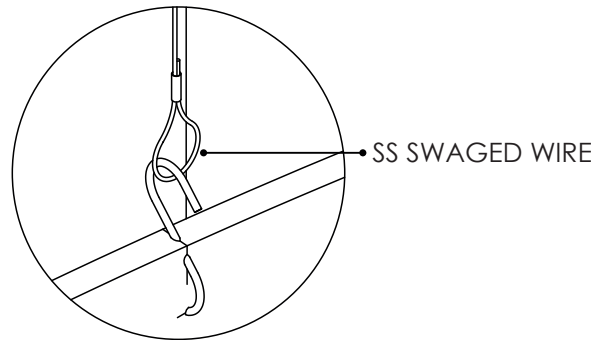
STEP 11 & 12

DRANTE CLOUD SUSPENSION METHOD

13) Insert 'S' hooks into mounting slits on cloud as shown.

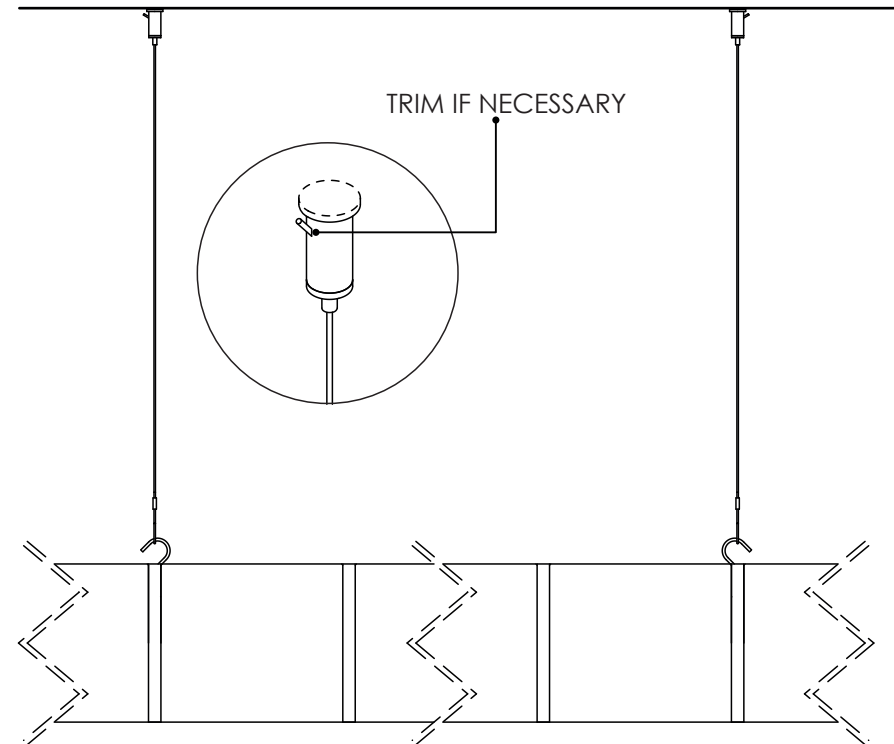


14) Suspend cloud by looping 'S' hooks through swaged wire.



STEP 13 & 14

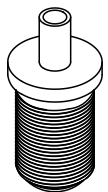
15) Re-adjust wire length as explained in STEP 5 until cloud hangs level. Trim excess wire for a neat finish.



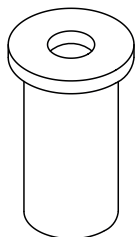
STEP 15

*Please note, above linework is representative only.
Your cloud may not be depicted.

DRANTE CLOUD PARTS



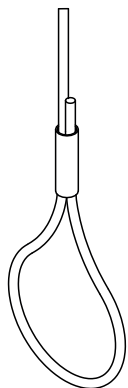
WIRE ADJUSTER
4 OFF



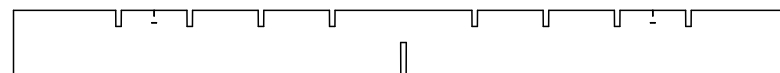
HANGER HEAD
4 OFF



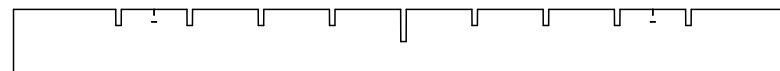
'S' HOOK
4 OFF



SWAGED WIRE
4 OFF



PROFILE 1A
1 OFF



PROFILE 1B
1 OFF



PROFILE 2
4 OFF



PROFILE 3
4 OFF



PROFILE 4
4 OFF



PROFILE 5
4 OFF